

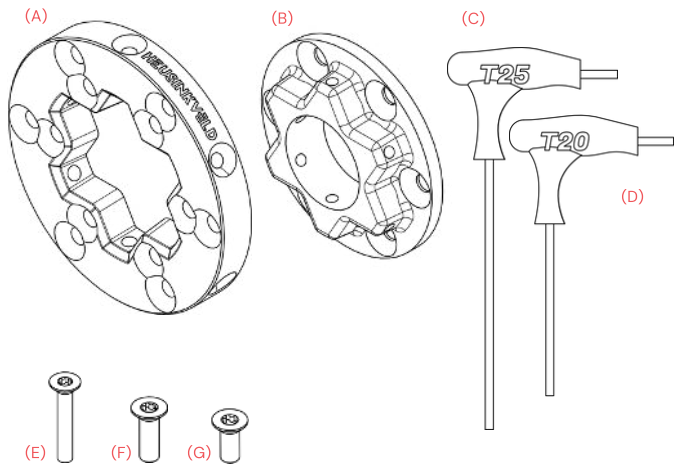
HEUSINKVELD®

Steering wheel Adapter for Steering wheel One

INSTRUCTION MANUAL

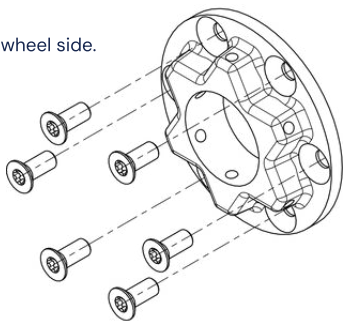
Contents

- 1x Adapter base side (A)
- 1x Adapter wheel side (B)
- 1x Torx key T25 (C)
- 1x Torx key T20 (D)
- 6x M4x25 screws (E)
- 6x M5x16 screws (F)
- 6x M5x12 screws (G)



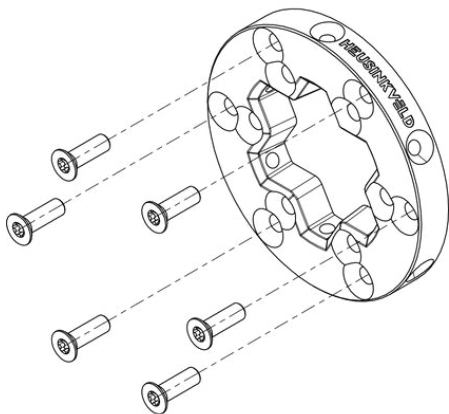
Step 1

Insert 6x M5x12 torx screws into wheel side.



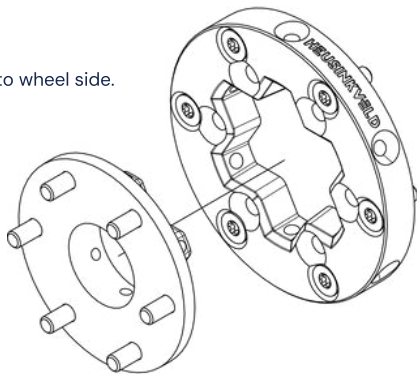
Step 2

Insert 6x M5x16 torx screws into wheel base side / quick release side.



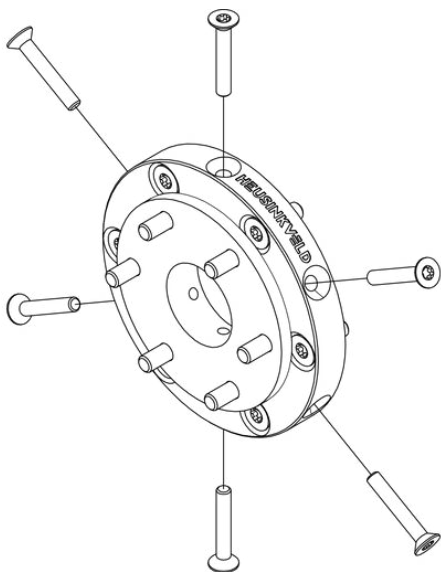
Step 3

Insert wheel base side into wheel side.



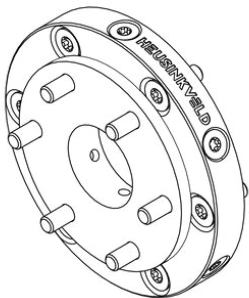
Step 4

Insert 6x M4x25 into the mounting holes.



Complete assembled product

Ready to race!



HEUSINKVELD®

FULL MANUAL & TUTORIALS

The full manual for this product can be found on our website: [➔ heusinkveld.com](https://www.heusinkveld.com)

PIT STOP FOR YOUR QUESTIONS

If you have any questions about our products or need help with the installation, contact our Support Team at [➔ support@heusinkveld.com](mailto:support@heusinkveld.com)

PLEASE RECYCLE RESPONSIBLY

The packaging of this product is made out of paper and cardboard where possible. Please make sure to follow local guidelines for responsible recycling.

