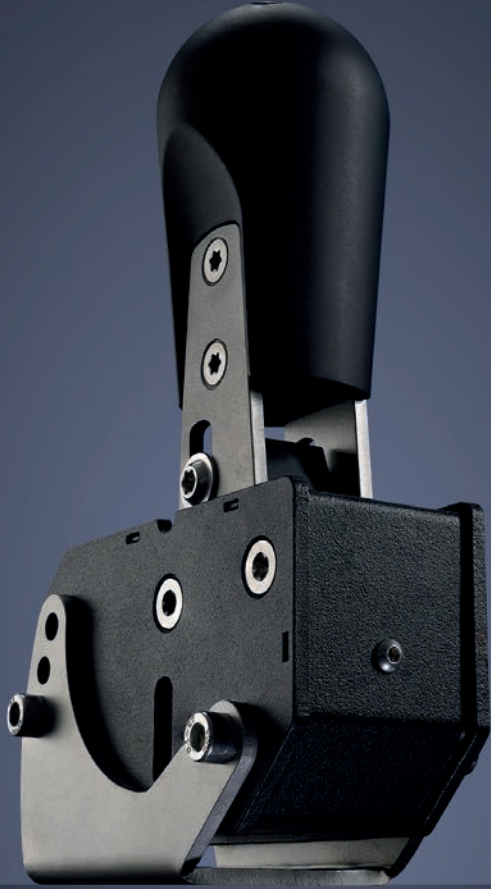


MagShift Mini

Quick Start



WELCOME TO HEUSINKVELD

Congratulations on acquiring this Heusinkveld® MagShift Mini. We hope you will enjoy this top-of-the-line racing simulator product for many years to come.

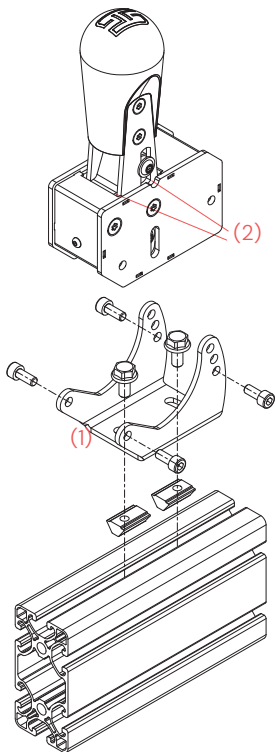
Index

- 2** Mounting your MagShift
- 3** Adjust the force
- 4** Connect your MagShift
Side notes
- 5** SmartControl & SmartControl Live
- 6** Extra information

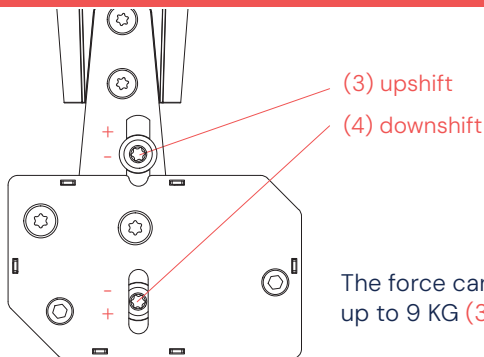
Attach the U-bracket to your simulator (1). The bracket allows for adjustment of the yaw angle.

Remove the bottom 2 bolts from each side of the MagShift Mini (2).

Position your MagShift Mini in the bracket, choose preferred tilt angle. Re-insert and tighten the bolts.



HEAVY DUTY & DYNAMIC FORCES

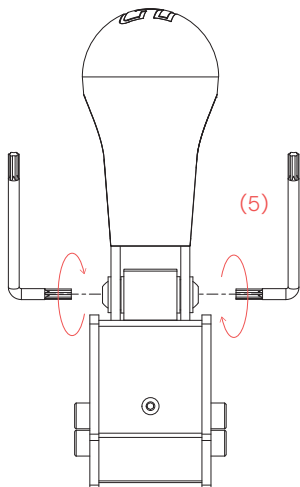


Insert 2 torx keys (5) simultaneously into adjustment bolts (one on each side).

Turn counterclockwise to loosen the screws.

Leave both hex keys inserted, move adjustment slider to new position. Make sure slider sits straight.

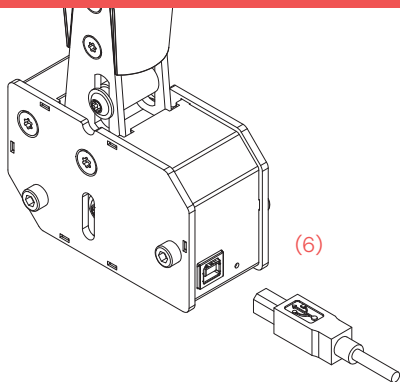
Re-tighten the screws.
Do not over-tighten.



PLUG & PLAY

Connect supplied USB cable between the MagShift Mini and your PC (6).

You are ready to race!



SIDE NOTES

Maintenance The MagShift Mini does not require any maintenance.

Expected & faulty operation In the default configuration only the lever of the MagShift Mini can be moved physically, all other parts remain stationary. Each of the 2 inputs (upshift, downshift) give an output to your pc. If this is not the case, please contact Heusinkveld support.

General product description and intended use The MagShift Mini is a sensor-based sequential shifter which can be connected to a computer for use in a driving simulator.

The product is suitable for use in a simulator only. The product is not suitable for use on (public) roads, on a test track, or as part of an electric vehicle.

Safety precautions No specific personal safety equipment is required to use this product. The product must be mounted rigidly to the simulator.

Product dimensions Height: 158,3 mm. Width: 50 mm. Depth: 91,5 mm. Weight: 0.93 KG.

SMARTCONTROL & SMARTCONTROL LIVE

Heusinkveld® simracing products come with powerful software tools. Download SmartControl and SmartControl Live from our website [heusinkveld.com/overview-smartcontrol-live](https://www.heusinkveld.com/overview-smartcontrol-live)

With **SmartControl LIVE** you can activate your settings on the go. Change settings and apply your profiles while driving.



Read more about it

HEUSINKVELD®

EXTRA INFORMATION & TUTORIALS

This is the Quick Start manual for your Heusinkveld MagShift Mini. It contains all essential information to start using your MagShift Mini. Extra information, tutorials and the SmartControl software can be found on our website:

heusinkveld.com/support/product-manuals



PIT BOX FOR YOUR QUESTIONS

If you have any questions about our products or need help with the installation, our Support Team is happy to help you at support@heusinkveld.com

JOIN OUR COMMUNITY



PLEASE RECYCLE RESPONSIBLY

The packaging of this product is made out of paper and cardboard where possible. Please make sure to follow local guidelines for responsible recycling.

This product is CE Certified:
heusinkveld.com/ce-certifications

Quick Start manual MagShift Mini
version 1.1 – March 5, 2025

Heusinkveld Engineering B.V.
Cuxhavenweg 5E
9723JK Groningen, The Netherlands



Partner van
CE wecycle

Product name: Magshift Mini
Model: HE-Magshift Mini
Voltage rating: 5V (USB)

Patent: heusinkveld.com/patents