

# HEUSINKVELD® Table Clamp

for MagShift Mini

## Contents:

1x Flanged nut (A)

1x Clamp screw (B)

1x Table Clamp middle plate (C)

1x Heusinkveld desk protection patch (D)

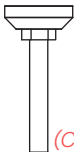
2x Table Clamp plate (E)



(A)



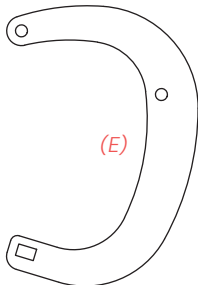
(B)



(C)



(D)



(E)

Tool needed:

1x 4mm Allen key (D)

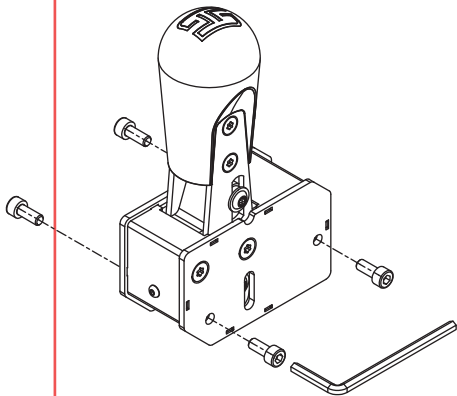
(supplied with your MagShift Mini)



(F)

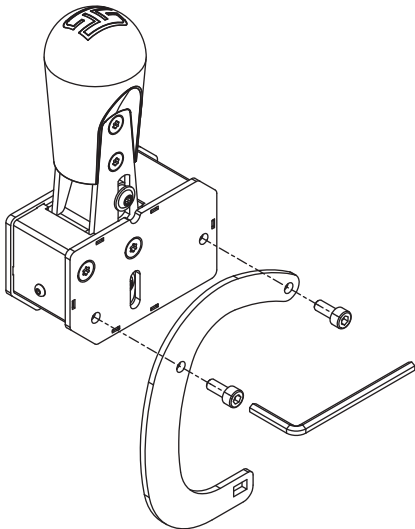
**1.**

Remove M5 screws with  
4mm Allen key – supplied  
with the MagShift Mini.



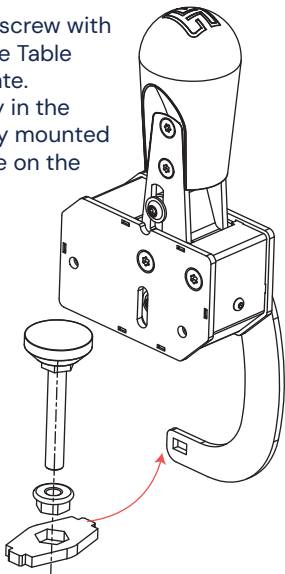
## 2.

Mount 1 Table Clamp plate on the MagShift Mini.



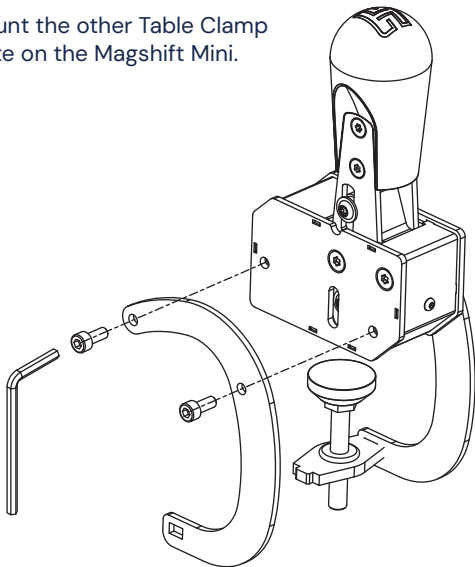
### 3.

Assemble clamp screw with flanged nut on the Table Clamp middle plate.  
Put this assembly in the slot of the already mounted Table Clamp plate on the MagShift Mini.



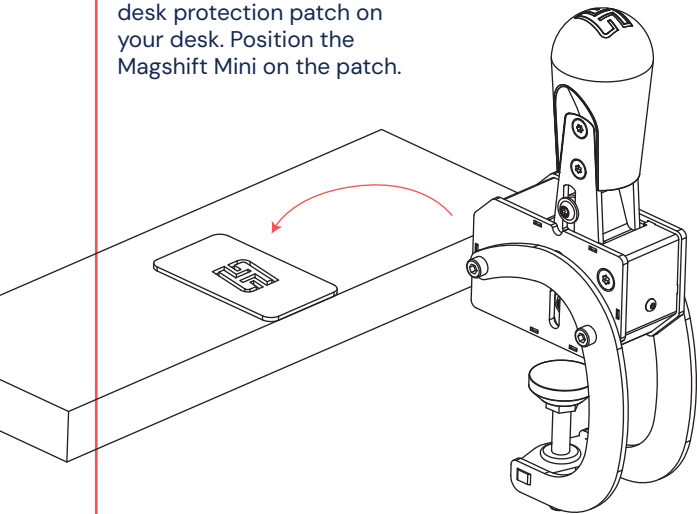
## 4.

Mount the other Table Clamp plate on the Magshift Mini.



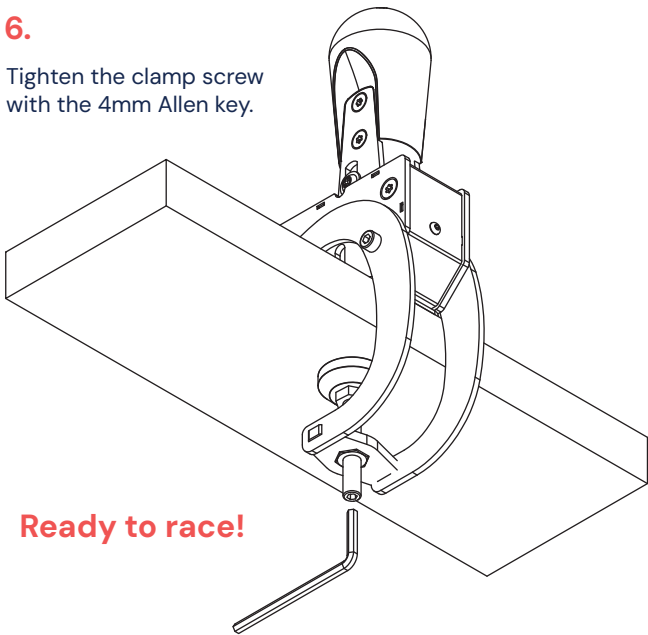
**5.**

Position the Heusinkveld desk protection patch on your desk. Position the Magshift Mini on the patch.



**6.**

Tighten the clamp screw with the 4mm Allen key.



**Ready to race!**